



STALLION[®]

STRAPPING SYSTEMS

CONSISTENTLY RELIABLE... STRAP AFTER STRAP

SS35

SEMI-AUTOMATIC POLY STRAPPING MACHINE

- ✓ ROBUST & RELIABLE MACHINE
- ✓ ONE MOTOR WITH NO CLUTCH, BELT OR CHAIN!
- ✓ ELECTRONIC OUTSIDE TENSION CONTROLS
- ✓ EASY OPERATION & MAINTENANCE
- ✓ CASTORS WITH BRAKES



 **highgate**
GROUP

1800 089 456
highgategroup.net.au
sales@highgategroup.net.au

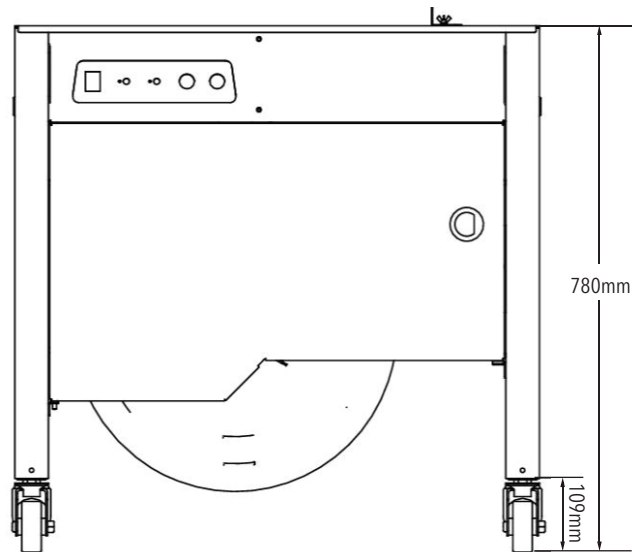
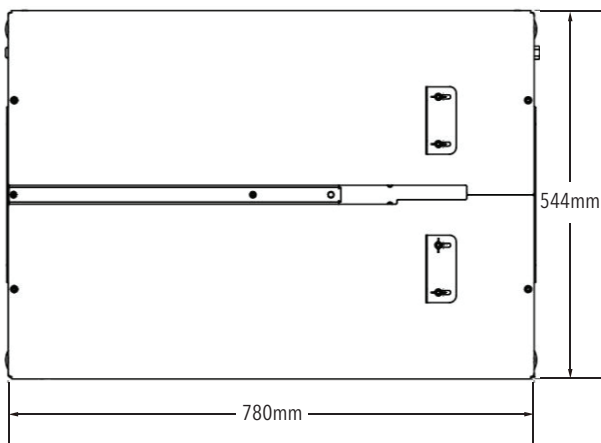
SS35 SEMI-AUTOMATIC POLY STRAPPING MACHINE

TECHNICAL DATA

Product:	Stallion Semi-Automatic Poly Strapping Machine
Code:	SS35
Strap Width:	5mm-15mm
Power:	Single Phase
Dimensions:	L 780mm x W 545mm x H 780mm
Weight:	60kg

MAIN FEATURES

- Ideal for Smaller Packing Operations
- One Motor with No Clutch, Belt or Chain
- Electronic Outside Tension Control
- Power Saving Motor - Only Runs When Strap is Inserted
- Robust and Reliable Machine
- Easy Operation and Maintenance
- Castors with Brakes



STALLION SS35 - CONSISTENTLY RELIABLE... STRAP AFTER STRAP