



- INCREASE EFFICIENCIES
- REDUCE FILM USAGE & SAVE \$\$\$

# WT450-HD

## HEAVY DUTY SEMI-AUTOMATIC PALLET WRAPPING MACHINE

- ✓ HEAVY DUTY CHAIN DRIVEN TURNTABLE
- ✓ HUGE FILM SAVINGS - 300% POWER PRE-STRETCH FILM CARRIAGE, 1M → 4M
- ✓ QUICK & EASY ROLL CHANGE CARRIAGE
- ✓ 4 MEMORY WRAPPING PROGRAMS
- ✓ ADJUSTABLE FILM BREAK AT THE END OF EACH PALLET WRAPPING CYCLE
- ✓ OPTION TO USE AUTOMATIC OR MANUAL OPERATION
- ✓ LCD TOUCH SCREEN CONTROL PANEL (PASSWORD PROTECTED)
- ✓ TROUBLESHOOTING ON SCREEN



1800 089 456  
highgategroup.net.au  
sales@highgategroup.net.au



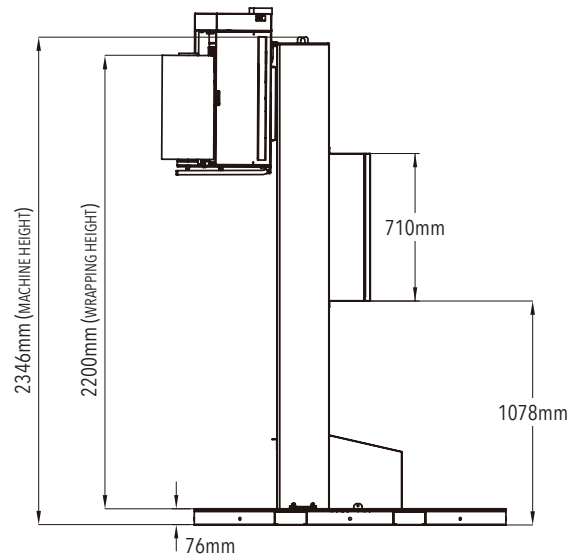
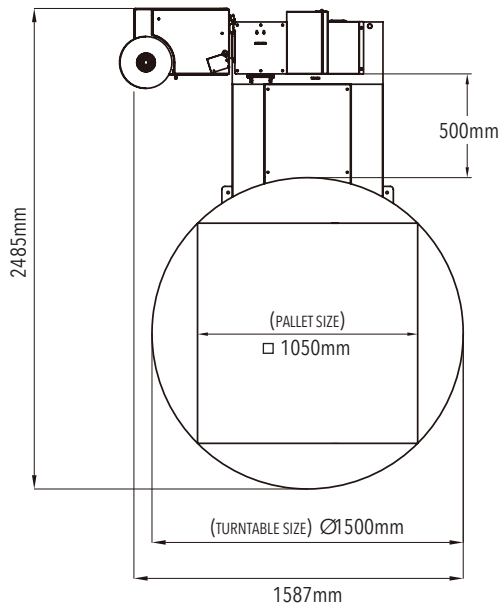
# WT450-HD WRAPEX HEAVY DUTY SEMI-AUTOMATIC PALLET WRAPPING MACHINE

## TECHNICAL DATA

Product:	Wrapex Heavy Duty Semi-Automatic Pallet Wrapping Machine
Code:	WT450-HD
Max. Wrapping Height:	2200mm
Turntable Diameter:	1500mm
Turntable Speed:	1-10 RPM
Stretch Film Size:	500mm
Load Capacity:	2000kg
Power:	Single Phase, 1.2kW
Dimensions:	L 2485mm x W 1587mm x H 2346mm
Weight:	630kg
Optional Extra:	Ramp for Pallet Truck Access

## MAIN FEATURES

- Heavy duty chain driven turntable
- 300% Power Pre-stretch Film Carriage (1m of film is stretched to 4m)
- Quick Gear Change Carriage
- 4 Memory Wrapping Programs
- Option to use Automatic & Manual Operation
- LCD Touch Screen Control Panel (Password Protected)
- Troubleshooting on Screen
- Photo Sensor Pallet Height Detection
- Adjustable Turntable & Carriage Speed
- Slow Start & Stop
- Turntable Home Position
- Top Sheet Wrapping
- Adjustable Top & Bottom Wrap Counts
- Adjustable Wrapping Tension (5 Stages)
- Advanced Soft Wrapping
- Safety Switch



Control Panel



1800 089 456  
highgategroup.net.au  
sales@highgategroup.net.au